

**Slangestuds PP 1" x 25 mm  
indvendig gevindmøtrik x  
slangestuds 6bar grå (0330235)**



# TEKNISKE SPECIFIKATIONER

Farve                                      grå

Materiale                                PP

Pakningsmateriale                    EPDM

Tilslutning                              indvendig gevindmøtrik x slangestuds

Tryk                                        6 bar

Maks. temp.                            80 °C

Størrelse                                1" x 25 mm

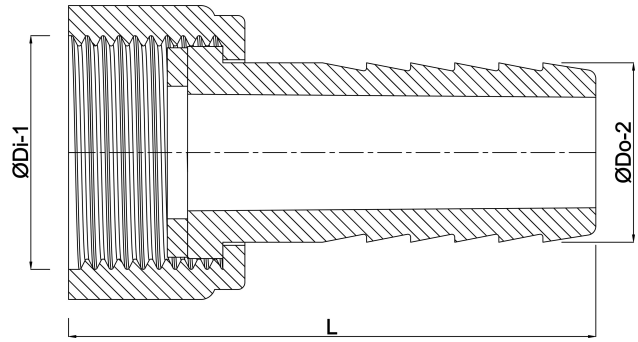
# DIMENSIONER

L                                            65.5 mm

Lq-2                                        36 mm

ØDi-1                                      1 "

ØDo-2                                      25 mm



**Genereret den: 23-05-2026**

Bevo Nordic A/S  
Pakhusgården 54  
5000 Odense C  
Danmark  
+45 66 19 25 45  
[info@bevo.dk](mailto:info@bevo.dk)  
<http://www.bevo.com>